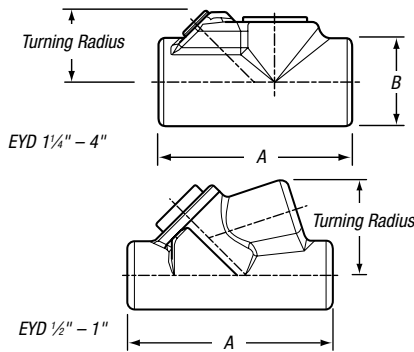


PVC-Coated Hazardous Location Fittings

Restrict the passage of gases, vapors and flames at atmospheric pressure and normal ambient temperatures.

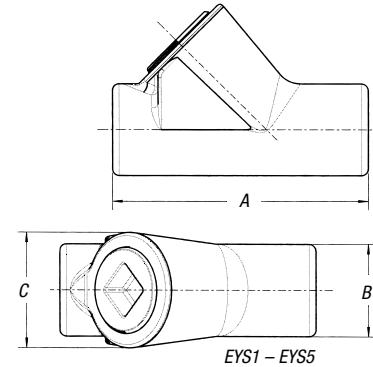
OCAL-BLUE® Double-Coat Sealing Fittings

- Prevents pre-compression or “pressure piling” in conduit systems
- Gray iron alloy body construction coated with nominal .002" (2 mil) blue urethane on both interior and exterior
- Nominal .040" (40 mil) PVC coating bonded to exterior — available in gray, white, blue or custom colors
- Explosion-proof, dust-ignition-proof and suitable for use in the following environments:†
 - Class I, Division 1 & 2, Groups C, D
 - Class II, Division 1, Groups E, F, G
 - Class III, Division 1 & 2



EYD Series Drain Sealing Fittings

FEMALE CAT. NO.	MALE & FEMALE CAT. NO.	PIPE SIZE IN. METRIC SIZE DESIGNATOR*	DIMENSIONS IN. MM		TURNING RADIUS IN. MM
			A	B	
EYD1_	EYD16_	1/2	3.81	1.50	1.75
		16	96.77	38.10	44.45
EYD2_	EYD26_	3/4	4.08	1.75	1.98
		21	103.63	44.45	50.29
EYD3_	EYD36_	1	4.85	2.19	2.19
		27	123.19	55.63	55.63
EYD4_	EYD46_	1 1/4	5.00	2.25	1.80
		35	127.00	57.15	45.72
EYD5_	EYD56_	1 1/2	5.44	2.44	2.00
		41	138.18	61.98	50.80
EYD6_	EYD66_	2	6.25	3.00	2.32
		53	158.75	76.20	58.93
EYD7_	EYD76_	2 1/2	7.50	3.50	2.69
		63	190.50	88.90	68.33
EYD8_	EYD86_	3	8.50	4.25	3.15
		78	215.90	107.95	80.01
EYD9_	EYD96_	3 1/2	9.19	4.75	3.38
		91	233.43	120.65	85.85
EYD10_	EYD106_	4	9.75	5.25	3.64
		103	247.65	133.35	92.46



EYS Series Sealing Fittings

FEMALE CAT. NO.	MALE & FEMALE CAT. NO.	PIPE SIZE IN. METRIC SIZE DESIGNATOR*	DIMENSIONS IN. MM			TURNING RADIUS IN. MM
			A	B	C	
Vertical Only						
EYS1_	EYS16_	1/2	3.31	1.25	1.50	1.66
		16	84.07	31.75	38.10	42.16
EYS2_	EYS26_	3/4	3.65	1.50	1.75	1.96
		21	92.71	38.10	44.45	49.78
EYS3_	EYS36_	1	4.25	1.75	2.19	2.40
		27	107.95	44.45	55.63	60.96
Vertical or Horizontal						
EYS11_	EYS116_	1/2	3.63	1.25	—	1.09
		16	92.20	31.75	—	27.69
EYS21_	EYS216_	3/4	3.66	1.50	—	1.25
		21	92.96	38.10	—	31.75
EYS31_	EYS316_	1	4.25	1.75	—	1.59
		27	107.95	44.45	—	40.39
EYS4_	EYS46_	1 1/4	5.00	2.25	—	1.81
		35	127.00	57.15	—	45.97
EYS5_	EYS56_	1 1/2	5.44	2.44	—	2.00
		41	138.18	61.98	—	50.80
EYS6_	EYS66_	2	6.25	3.00	—	2.31
		53	158.75	76.20	—	58.67
EYS7_	EYS76_	2 1/2	7.50	3.50	—	2.56
		63	190.50	88.90	—	65.02
EYS8_	EYS86_	3	8.50	4.25	—	3.09
		78	215.90	107.95	—	78.49
EYS9_	EYS96_	3 1/2	9.19	4.75	—	3.38
		91	233.43	120.65	—	85.85
EYS10_	EYS106_	4	9.75	5.25	—	3.53
		103	247.65	133.35	—	89.66

* Metric size designator (ANSI C80.1-1994).

** EYSX and EYDX are expanded-fill styles. When ordering, add X to part number.

For example: EYSX31-G, EYDX31-B.

† Ratings prior to PVC coating.

PVC-Coated Hazardous Location Fittings



EZS



EZD



EZD
with Inspection Cover off

EYS Series Sealing Fittings

FEMALE CAT. NO.	MALE & FEMALE CAT. NO.	IN. METRIC SIZE DESIGNATOR*
EZS1-	EZS16-	½ 16
EZS2-	EZS26-	¾ 21
EZS3-	EZS36-	1 27
EZS4-	EZS46-	1¼ 35
EZS5-	EZS56-	1½ 41
EZS6-	EZS66-	2 53
EZS7-	EZS76-	2½ 63
EZS8-	EZS86-	3 78

* Metric size designator (ANSI C80.1-1994).

EZD Series Sealing Fittings

CAT. NO.	IN. METRIC SIZE DESIGNATOR*
EZD111-	½ 16
EZD211-	¾ 21
EZD311-	1 27
EZD411-	1¼ 35
EZD511-	1½ 41
EZD611-	2 53

* Metric size designator (ANSI C80.1-1994).

Cat. No.	Color
EYS 1-	—
—	= space for color identifier
G	= Gray
W	= White
B	= Blue
Custom colors also available.	

Ensures proper functioning of EYS sealing fittings.

Chico® Sealing Compound and Fiber

- Sealing compound mixes with water, pours easily and hardens in 60–70 minutes
- Fiber filler mineral wool holds sealing compound in place while it hardens

OCAL-BLUE Double-Coat EYS Sealing Fittings require fiber filler and sealing compound to function properly. Use Chico® X Fiber Filler to form a dam around the sealing fitting's integral bushing, as well as at the end of the conduit and around conductors entering the hub. Chico® A Sealing Compound expands slightly while hardening and bonds to the inner walls of the sealing fitting.



FIBER-X6



SEAL-A3

CAT. NO.	DESCRIPTION
SEAL-A3	Chico® A Sealing Compound, 1 lb. net wt./23 cu.in. vol.
FIBER-X6	Chico® X Fiber Filler, 8 oz.
SEALKIT-A4	Chico® A Sealing Compound, 1 lb. net wt./23 cu.in. vol., with 1 oz. Chico® X Fiber Filler

Chico® is a registered trademark of Cooper Crouse-Hinds.